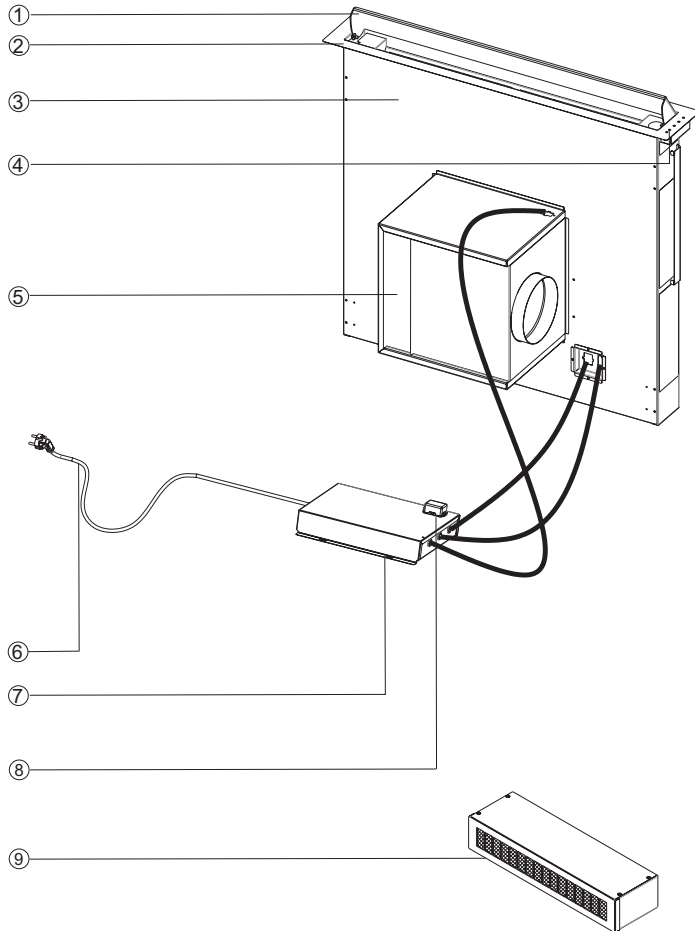


**3411**



**Read this operation manual and installation prior to use and operate the equipment.**

## General view of the extractor hood



*Fig. 1: Overview*

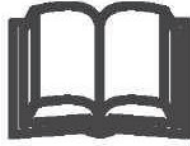
*Drawing 1: General view*

### Closure flap

- 2 Closure frame
- 3 Control panel
- 4 Hood casing
- 5 Engine box
- 6 Power cord
- 7 Electronic box
- 8 Window switch box (optional - only for air recirculation operation)
- 9 Active charcoal filter box (optional - only for air recirculation operation)

# 1 Safety instructions

## 1.1 User Manual



Before using the hood, please read these instructions completely.

Keep this instructions manual for future reference. In case the device is handed over to a third party, please forward the instructions manual as well.

You should follow these instructions in order to prevent injuries of people and damages to the device.

The manufacturer rejects all responsibilities for any damage due to non-compliance with these instructions.

## 1.2 The instructions used here

Information that is important for your safety is marked with special symbols. This information must strictly be followed in order to prevent any accident and damage to the device.



### **WARNING !**

Warning against hazards for health, it indicates the risks of possible injuries.



### **CAUTION!**

It draws attention to dangers for the device or other objects.



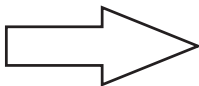
### **CAUTION!**

Avvertenza contro possibili rischi che potrebbero causare danni materiali se non vengono adottate precauzioni.



### **INFORMATION!**

It gives advice and information.



It refers to another chapter, paragraph or information

# 1 Safety instructions

## 1.3 Children, specific individuals



## 1.4 Intended use

Those (including children) who are unable to use the device safely due to mental, physical or motor abilities (specific individuals) should not be allowed to use the device without supervision, or can only use it following instructions by a responsible person.

Do not leave the device unattended. Use with extreme caution when children or specific individuals who are not able to properly understand the hazards are nearby.

Packaging materials:

- should not be used as a toy. There is a risk of suffocation.
- Dispose of the packaging materials in accordance with the standards (=> spare parts and evacuation)

This hood is exclusively designed for the treatment of steam rising from a stove in the kitchen and for private use only.

- The device is for home use only.
- The device is not intended for professional use.
- The device is only intended for use with electric or gas stoves.

Any other use is considered to be non-compliant and is therefore prohibited.

The followings are, in particular, prohibited:

- The use of the hood without metal grease filter. The absence of the filter causes large deposits of grease in the hood and the exhaust ducts.
- Flaming under the hood. This may cause to flaming of grease deposits.
- The use of hobs (any kinds of gas, electric, etc.) without pots, pans or stove.

# 1 Safety instructions

Any open flame may cause flaming of the hood.

- Cleaning of the hood with equipment or utensils not provided for this purpose, with a steam cleaner for example (=> maintenance)
- Any repairing by unauthorized personnel (=> after-sales service)

## 1.5 Fire hazard

### **WARNING!**

Risk of burns! Misuse of the hood can cause burns.

- follow the Maintenance and Cleaning Instructions carefully (=> 4.6 maintenance intervals).

Strictly avoid:

- Cooking, roasting and grilling on open flame, due to the risk of fire

## 1.6 power supply



### **WARNING !**

Electrocution. The hood is electrically operated. In case of incorrect installation, handling and operation, there is a risk of serious or fatal injury. Follow the safety instructions

## 1.7 Failure of the device



### **WARNING !**

Do not mount or use a faulty hood. Repair work must be carried out by an expert authorized by the manufacturer (after-sales service).

The warranty claims do not apply in case of intervention by unauthorized personnel (=> Warranty)

## 2 Opening of packaging and assembly

### 2.1 Opening of packaging



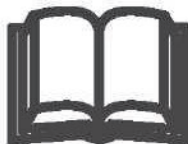
The packaging materials are recyclable. Save on raw materials and reduce waste accumulation. Put the packaging materials into recycling points. A responsible individual will collect them ( => 6.2 Disposal). Follow the safety instructions (=> safety instructions) during installation and electrical connection. Before installation, read the installation instructions completely.

Strictly follow the instructions in order to prevent injuries of people and damages to the device.

The manufacturer rejects all the responsibility for damages caused by non-compliance with this installation manual.

### 2.2 Installation and electrical connection

#### 2.3.1 Controlling parts of the extractor hood



It includes:

-he hood with the motor casing

Accessories

- 4 mounting brackets for the hood housing
- screws and washers for the hood housing and the motor casing

## 2 Opening of packaging and assembly

### 2.3.2. General information on assembly

The hood is installed in the worktop at the level of the hob.

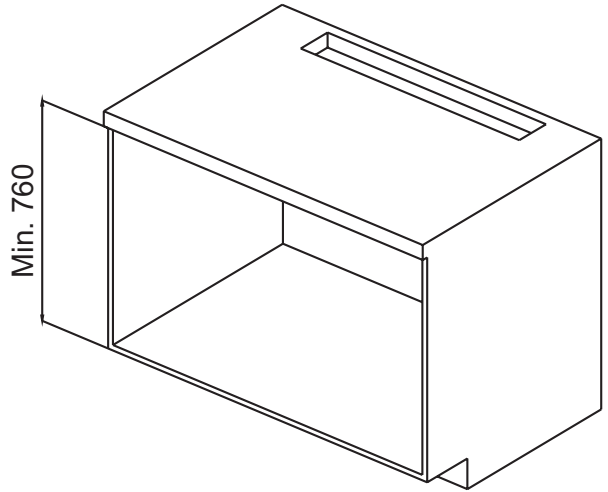


#### **WARNING!!**

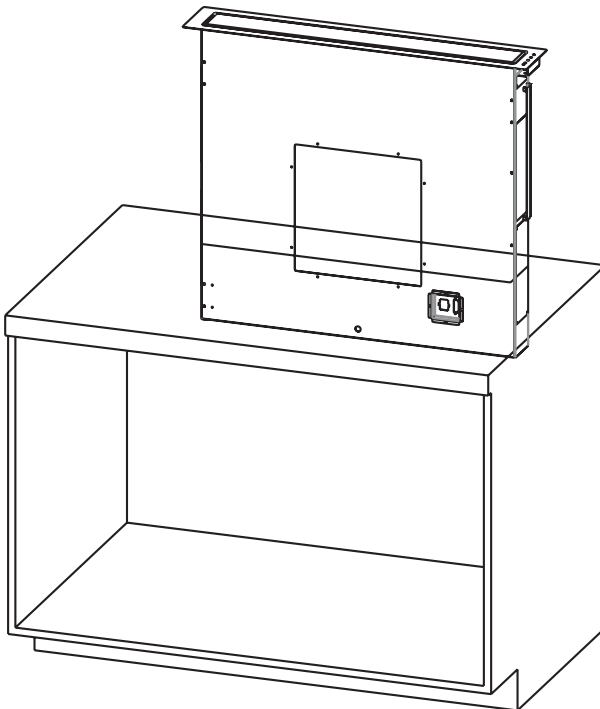
Danger of death due to damaged supply lines. When drilling, supply lines (electricity, gas and / or water) may be damaged. Before drilling, you should be aware of the routing of the supply lines (e.g. using a metal and voltage detector).

## 2 Opening of packaging and assembly

### 2.3.3 Assembly drawings



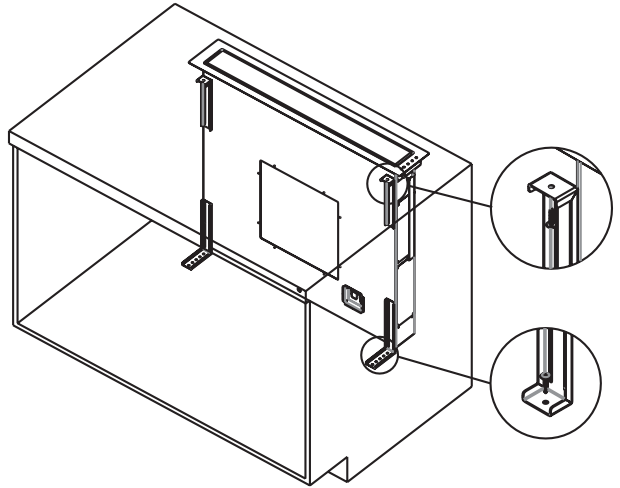
Drawing. M1



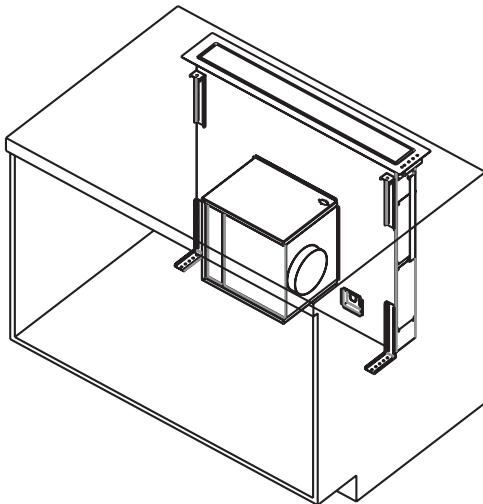
Drawing M2a



## 2 Opening of packaging and assembly



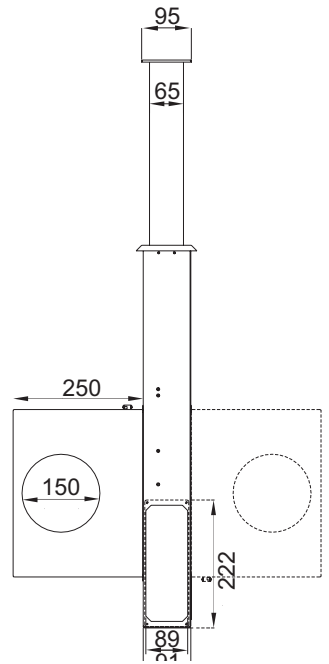
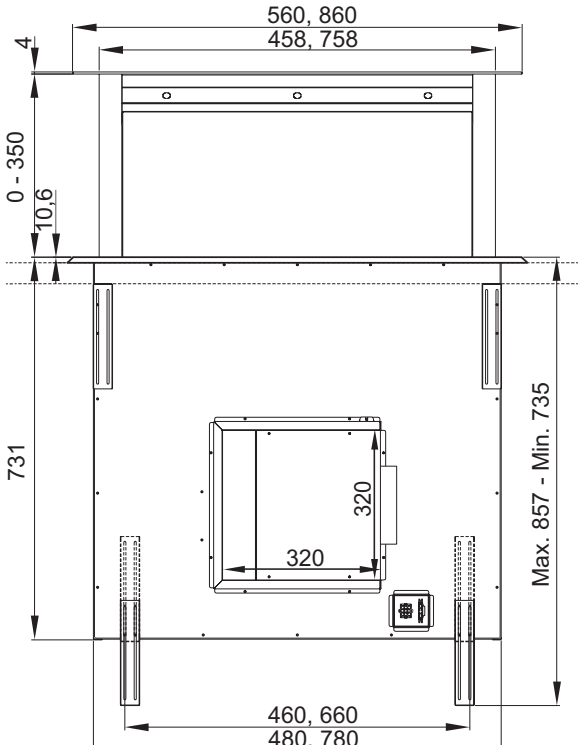
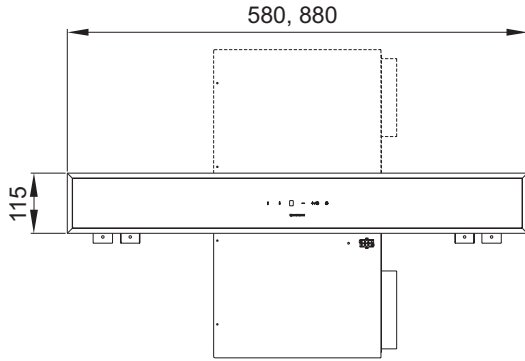
Drawing M2b



Drawing M3

## 2 Opening of packaging and assembly

### 2.3.4 The dimensions of the device



## 2 Opening of packaging and assembly

### 2.3.5 The steps required for assembly of the extractor hood.

#### 1. The section on the bench

#### 2. Direzione di collegamento della scatola motore per la tubazione dell'aria di scarico

- You can connect the exhaust pipe to the extractor hood in both directions (Drawing M3). To achieve this, after mounting the frame of the extractor hood, you can screw the motor casing in compliance. For a forward air outlet, the angular plate with round connection of air discharge and the motor being arranged underneath must be disassembled, turned and screwed in again.

Working of exhaust air:

Place an exhaust air duct with a diameter of 150 mm on a prepared wall channel.

Working of the circulation: Recycling

The active charcoal filter must be installed in such a manner that air is relayed to the kitchen field.

At the bottom, on the base of the cabinet side, use a round vent pipe with a diameter of 150 mm.

Behind the active charcoal filter box, it is likely to use a connection for a flat duct with dimensions of 222 x 89mm.

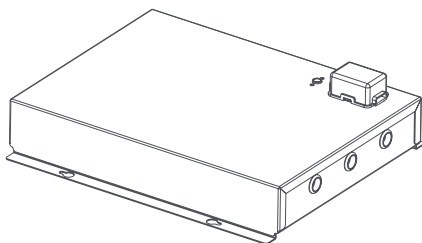
#### 3. Preparazione del tubo dell'aria di scarico o dell'aria di ricircolo

## 2 Opening of packaging and assembly

### 2.3.6 Assembly of the extractor hood

#### CAUTION!

Do not install or operate defective extractor hoods. Repair should be carried out by a qualified person. (=>Customer Services).



*Drawing 2: Electronic case with window switch box*

1. Cut out the section on the work plan. The MINIMUM distance between the rear side of the cooking hood and the front side of the extractor hood is 20 mm (See Drawing M1 and page 12).

2. Mount the frame of the extractor hood. Insert the body of the extractor hood until you can precisely place the mounting frame on the work surface (Drawing M2a). Attach the extractor hood vertically aligned with the mounting tabs on the cabinet base at the bottom and on the worktop at the top (Drawing M2b).

**Faucet for discharging liquids** At the bottom, there is a hole in the middle of the extractor hood frame (Drawing.2b Detail)

1. Push the tap into the hole until the fulcrum

2. Push the rubber O ring towards the gears of the faucet in the extractor hood frame up to the fulcrum.

3. Place the rounded-side brass nut and tighten it until connected closely, but do not apply strong forces!

4. Push the piece of pipe into the bend of the boru pipe.

**Fastening the motor casing to the body of the extractor hood**

(Drawing. M3). Pay attention to the direction of the engine blowing (see Drawing. M3 and page12)

Connect the air duct as prepared for exhaust and circulation air (see Page 12).

**Electricity connection:** Electrical connection to the motor / extractor hood body of the motor casing. Properly connect the cable with 2 different connections.

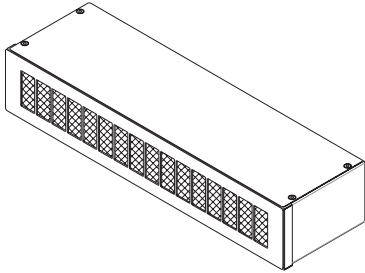
To be able to use this extractor hood in recycling, mount the circulation box over the absorbed air circulation box so that it is blown back into the kitchen.

For air extraction with the use of the window switch

- See 2.3.5

## 2 Opening of packaging and assembly

### 2.3.7 The extractor hood for circulation



*Drawing 3: Circulation box*

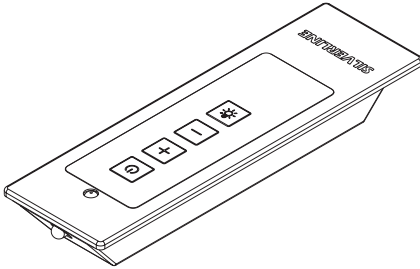
To use this extractor hood for air circulation , mount the circulation box over the absorbed air circulation box so that it can be blown back into the kitchen, for example over the edge of the kitchen furniture, etc. The stainless steel front plate with shelf is attached with magnets. During periodic maintenance, pull forward and remove the front plate with shelf for mounting the charcoal filter pad and later for replacement.

Adjust the gap between the front plate and the box when mounting between 0 and 20 mm (for bases in various thickness), remove or mount the magnets inside by turning them.

## 3 Use



### 3.1 Instruction for use of the extractor hood



*Drawing 4: Remote Control*  
For + and -, press key 2 or key 3.

You can use the extractor hood only with the remote control

The lid of the extractor hood opens by pressing it for 2 seconds. However, the engine does not work like this.

The opening of the hood lid can be stopped by pressing + or - for 2 seconds. By pressing for 2 seconds on the , the lid of the extractor hood continues to open, and when pressed for 2 seconds on the , the lid closes.

The motor can only be operated when the hood lid is open and no longer operates.

The motor starts operating at speed 1.

The speed is increased or decreased by pressing the + or - keys or is closed at speed 1 by pressing .

The number of LEDs indicates the operating speed of the motor.

## Automatic shutdown

(The motor stops automatically after 15 minutes)

To set the automatic shut-off time, press the **+** key for 3 seconds please. The operating phase of the motor can be changed by pressing the **+** or **-** keys.

Press key 1 for 3 seconds to stop the automatic closing time.

Stopping the motor: Press the key **0**. The lid of the extractor hood can be used when the automatic shut-off is activated.

Closing the lid of the extractor hood: Press the key **0** for 2 seconds.

If the electricity is switched off during operation of the extractor hood, it remains in the closed state when the electricity comes back to the lid of the extractor hood which remains in this position. The extractor hood can be used in the manner mentioned above.

## 4 Maintenance

### 4.1 General Instructions for Maintenance



#### **CAUTION!**

Damage to the hood casing due to improper cleaning. A change in surface colour may occur. Do not use a steam cleaner to clean the hood casing. Abrasive cleaning agents such as vinegar, scouring, abrasive grain or sharp utensils should not be used.



#### **INFORMATION!**

Maintain and clean the hood regularly to ensure safe operation and performance..

### 4.2 The cleaning of the extractor hood



Clean the hood immediately after its installation and later when it gets dirty.

#### **CAUTION!**

Protective film residues on the stainless steel surface can cause stains. The surface of the hood must be thoroughly cleaned after assembly. ( ▲ Information below)

#### 4.2.1 Cleaning and maintenance instructions

Please follow the general cleaning and care instructions as follows (also valid for lacquered glazed surfaces):

- before cleaning, remove your rings, watches and jewelry so as not to scratch the surface inadvertently lacquered.
- always clean the surface gently to avoid punctual abrasion.
- do not rub the material too hard to avoid scratches and dots. - do not use acid cleaners or polishes. Their components may damage the equipment.

Pay attention using sponges or clothes. Any possible residue may cause scratches.



## 4 Maintenance

### Stainless steel surfaces



### 4.3. Pulizia del filtro olio metallico.



- drops or fresh stains (e.g. from acid fluids such as fruit juices) should be cleaned and dried immediately!
- Gli oggetti caldi, pesanti e affilati non vanno passati sulla superficie verniciata e non vanno spinti contro la stessa.
- do not drag heavy, sharp objects onto lacquered surfaces or bash them.

There are specific maintenance products, suitable for the maintenance of stainless steel surfaces ( ▲ segue la descrizione). information below). They produce a protective film that reduces fingerprints and facilitates future care.

### INFORMATION!

For the maintenance of stainless steel surfaces, we recommend the aerosol treatment for stainless steel, Silverline ref. art. PS 500 ( ▲ 6.1), spray per acciaio inox.

### CAUTION!

Fire hazard. A dirty metal grease filter may cause fire. It is therefore crucial to follow the maintenance and cleaning instructions.

### CAUTION!

Excessive periods of cleaning or the use of aggressive cleaning agents may damage the grille of the metal grease filter. Use only suitable cleaning agents (e.g. neutral washing-up liquid) for cleaning.

## 4 Maintenance

### 4.4 Removing, installing and cleaning the metallic oil filter

Open the closure lid as far as possible (see Drawing 5b). Press the lid back carefully.

Thus, the safety lock becomes inactive and the extractor hood remains without electricity. The two stainless steel grease filters are located in the absorption field below and can be easily removed from their location.

A small groove is fixed under each of these filters (Drawing 5a). The grease coming down from the filters accumulates here.

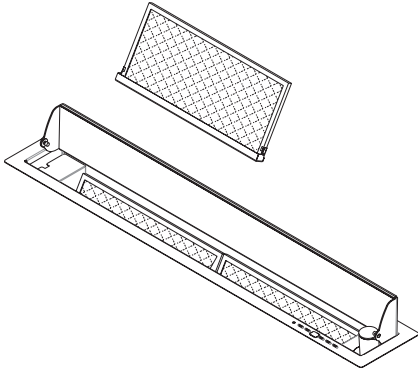
The groove and oil filter can be washed in the dishwasher. Otherwise clean only the groove using a kitchen towel. If not possible, then disassemble the groove and clean it.

Mounting the stainless steel grease filter

- When the closure lid is open, install the stainless steel grease filter onto the absorption field using the groove attached to it below. Tilt the open closure lid carefully forward and reactivate the safety lock in this position.
- Close the lid.

## 4 Maintenance

*Drawing 5a stainless steel grease filter with groove*



*Figure 5b Position of the stainless steel grease filter*

### **INFORMATION!**

Firmly hold the filters to prevent damage to both the filter and the cooking area.

### **Cleaning of metal grease filters**

To achieve this:

-Soak the metal grease filters in hot dish water and clean them using a soft brush. Repeat this process if necessary.

- Rinse thoroughly with warm water and allow to dry.

- If the result is not satisfactory, repeat this process. Metal grease filters can be cleaned in a dishwasher.

( ▲ Information below)

### **INFORMATION!**

The metal grease filter is dishwasher safe and can be cleaned with a maximum program of 55 °C. Due to a possible grease deposit on the dishes, please clean the filters separately. In case of heavy soiling, please soak them in the hot dish water. Changes in the colour of the filter do not impair its functioning and cannot be the subject of a complaint.

## 4 Manutenzione

### 4.5 Operating the circulation with active charcoal filter AFP 711 and the circulation box

#### CAUTION!

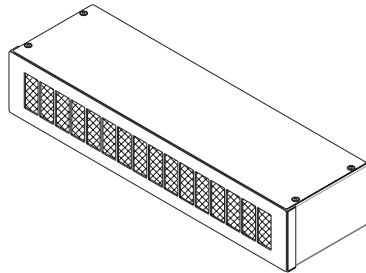
Excessive periods of cleaning or the use of aggressive cleaning agents may damage the grille of the metal grease filter. Use only suitable cleaning agents (e.g. washing-up liquid) for cleaning.

#### CAUTION!

Performance degradation in the event of non-compliance with maintenance intervals. The metal grease filter and the activated charcoal filter can become clogged with grease and dirt particles due to prolonged use, which can greatly reduce the capacity of the hood. For this reason, you should follow the maintenance intervals.



### 4.5.1 Installation and disassembly of the charcoal filter plug from the circulation box



*Drawing 8: AFP 711 activated charcoal filter pad and activated charcoal filter box  
Pull the stainless steel front plate forward through the magnets. Remove the above mentioned charcoal filter plug up and remove it. After washing the pad, install it or you'd better to use a new pad and push the shelf in until it contacts the magnets.*

## 4 Manutenzione

### 4.5.2 Washing the charcoal filter pad

The buffer of the activated charcoal filter can be washed 3 times at most. Average time for using at normal cooking is about 3-4 months. This period is reduced to 2-3 months for particularly fatty cooking. The filter pad must be washed and replaced at the end of this time. It can be washed by hand or in the dishwasher in a normal program of maximum 55 °C. Please wash the tampon alone in the dishwasher so that it does not contact food waste, etc. Do not use the intensive washing program, otherwise malfunctions may occur on this type of filter. Allow the filter pad to dry or make it dry for up to 40 minutes at a temperature of 80 °C.

If the activated charcoal filter pad does not wash regularly or is not replaced, it causes a higher engine noise level and cooking odours in the kitchen (Maintenance 4.7).

The valve for discharging liquids in the body of the extractor hood.

In case a pan overturns when cooking and water enters the extractor hood due to CONDENSATION on the walls etc., you can purge these by the tap installed in the lower part of the body of the extractor hood.

To achieve this, put a container under the end of the hose and open the tap. Make sure the existing liquid flows to the container and close the tap. The liquid can be poured into the drainage system of the house.

Be careful that you do not drop any liquid. Caution: Any liquid drop may damage the furniture.

Discharge the liquid in appropriate time intervals according to individual culinary habits (every 6 months at least).

## 5 Failures / Reasons / Solutions

### 4.7 Maintenance Intervals

Tasks	Time period	Procedures
Washing metal grease filter Purging the liquid from the body of the extractor hood Washing the active charcoal filter AFP 711 or its replacement	Every 1 to 2 weeks or when any colour change is encountered due to grease accumulation Every 6 months When performance decreases or approximately every 3 months when operating noise increases	Cleaning the metallic oil filter( ▲ 4.4) The liquids ( ▲ 4.6) Cleaning the AFP (active charcoal filter) or its replacement ( ▲ 4.5)



#### INFORMATION!

The failure table must be applied by the user or an authorized service technician

Defection	Cause probable	Solution
The extractor hood does not work.	<ul style="list-style-type: none"> <li>• There is no electrical connection</li> </ul>	Make the electrical connection
Loss of performance / Increased operating noise	<ul style="list-style-type: none"> <li>• The stainless steel grease filter</li> <li>• The active charcoal filter is dirty (only in the circulation operation)</li> <li>• Very low exhaust air section</li> <li>• Insufficient inlet of fresh air</li> </ul>	Clean the stainless steel grease filter ( ▲ 4.5) Change the active charcoal filter. (4.5.2) Control the section of exhaust air. 150 mm is recommended.
The number of the operating phase on the display lights up and goes out	<ul style="list-style-type: none"> <li>• It indicates the following: The automatic closing is adjusted.</li> <li>• The pans are at a very long distance from the open closure lid.</li> </ul>	The indicator disappears when the time is up, the fan motor and the lighting stop. Place the pan on the hot plate behind.